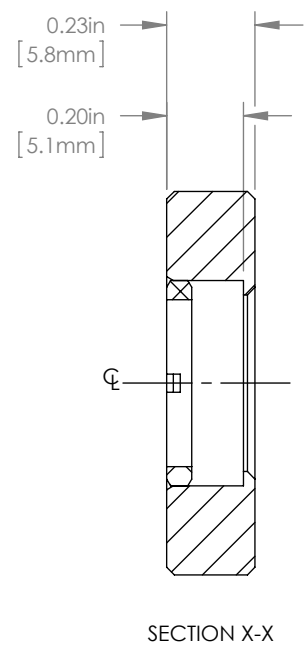
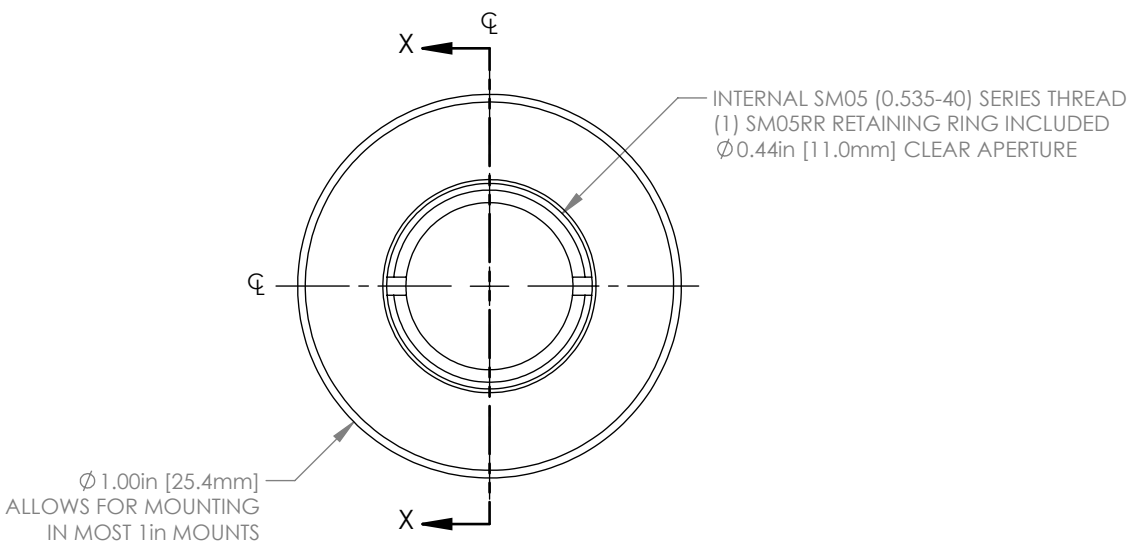
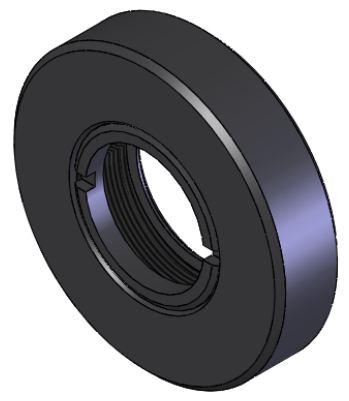


OPTIC THICKNESS	CLEAR APERTURE AT 45°
< 1mm	Ø4.9mm (Ø0.19in)
2 mm	Ø5.5mm (Ø0.21in)
3 mm	Ø5.3mm (Ø0.21in)
4 mm	Ø4.6mm (Ø0.18in)

NOTE: TABLE ABOVE ASSUMES AN OPTICAL INDEX OF 1.5  
 PRODUCT MOUNTS OPTICS FROM 0.25mm TO 4mm (0.01in TO 0.16in) THICK



FOR INFORMATION ONLY  
 NOT FOR MANUFACTURING PURPOSES

DRAWING PROJECTION				 <a href="http://www.thorlabs.com">www.thorlabs.com</a>	
	NAME	DATE		Ø1.0" OPTIC HOLDER	
DRAWN	AK	29/JUN/14		MATERIAL	
APPROVAL	AC	23/JUN/99		ALUMINUM	
COPYRIGHT © 2014 BY THORLABS					
VALUES IN PARENTHESIS ARE CALCULATED AND MAY CONTAIN ROUND-OFF ERRORS					
ITEM #		APPROX WEIGHT		REV	
AD1T		0.01 kg		C	