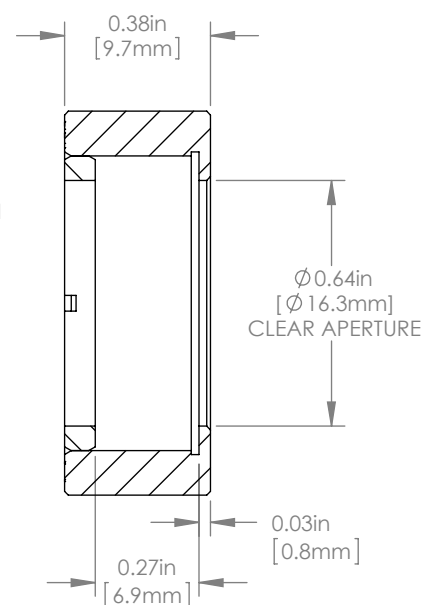


M19.5 X 0.5 INTERNAL THREAD
 0.35in [8.9mm] DEEP
 (1) SM19RR RETAINING RING INCLUDED
 \varnothing 0.64in [\varnothing 16.3mm] CLEAR APERTURE



SECTION A-A

FOR INFORMATION ONLY
 NOT FOR MANUFACTURING PURPOSES

DRAWING PROJECTION			THORLABS www.thorlabs.com	
	NAME	DATE	ADAPTER FOR \varnothing 19mm OPTICS	
DRAWN	HP	08 MAR 11	MATERIAL	
APPROVAL	TC	08 MAR 11	ANODIZED ALUMINUM	
COPYRIGHT © 2015 BY THORLABS				
VALUES IN PARENTHESIS ARE CALCULATED AND MAY CONTAIN ROUND OFF ERRORS			ITEM #	APPROX WEIGHT
			AD19T	0.01 kg
				REV B