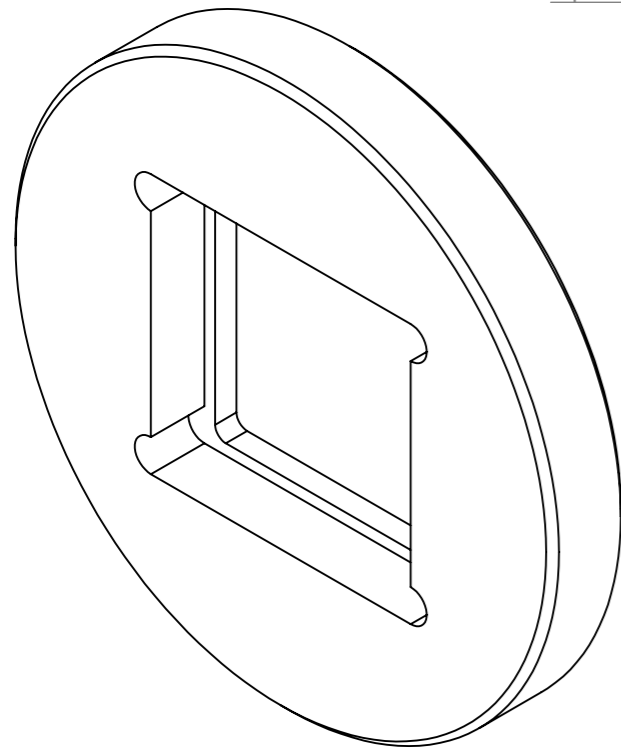
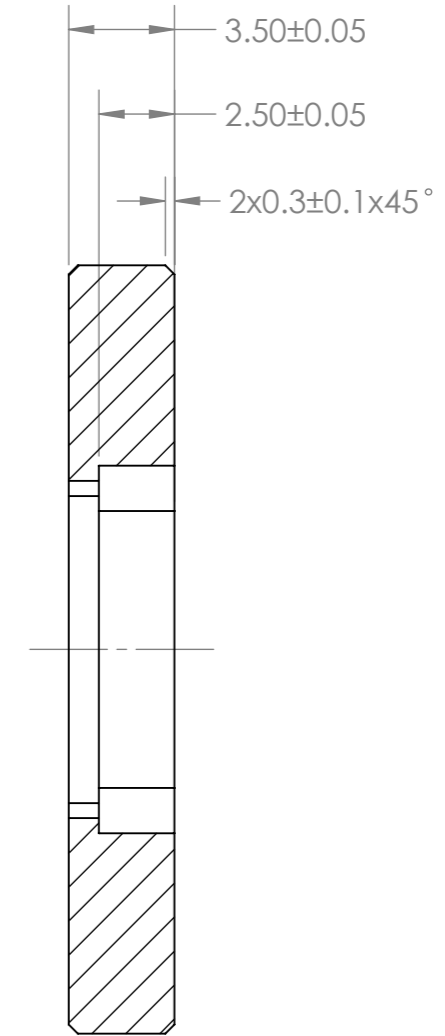
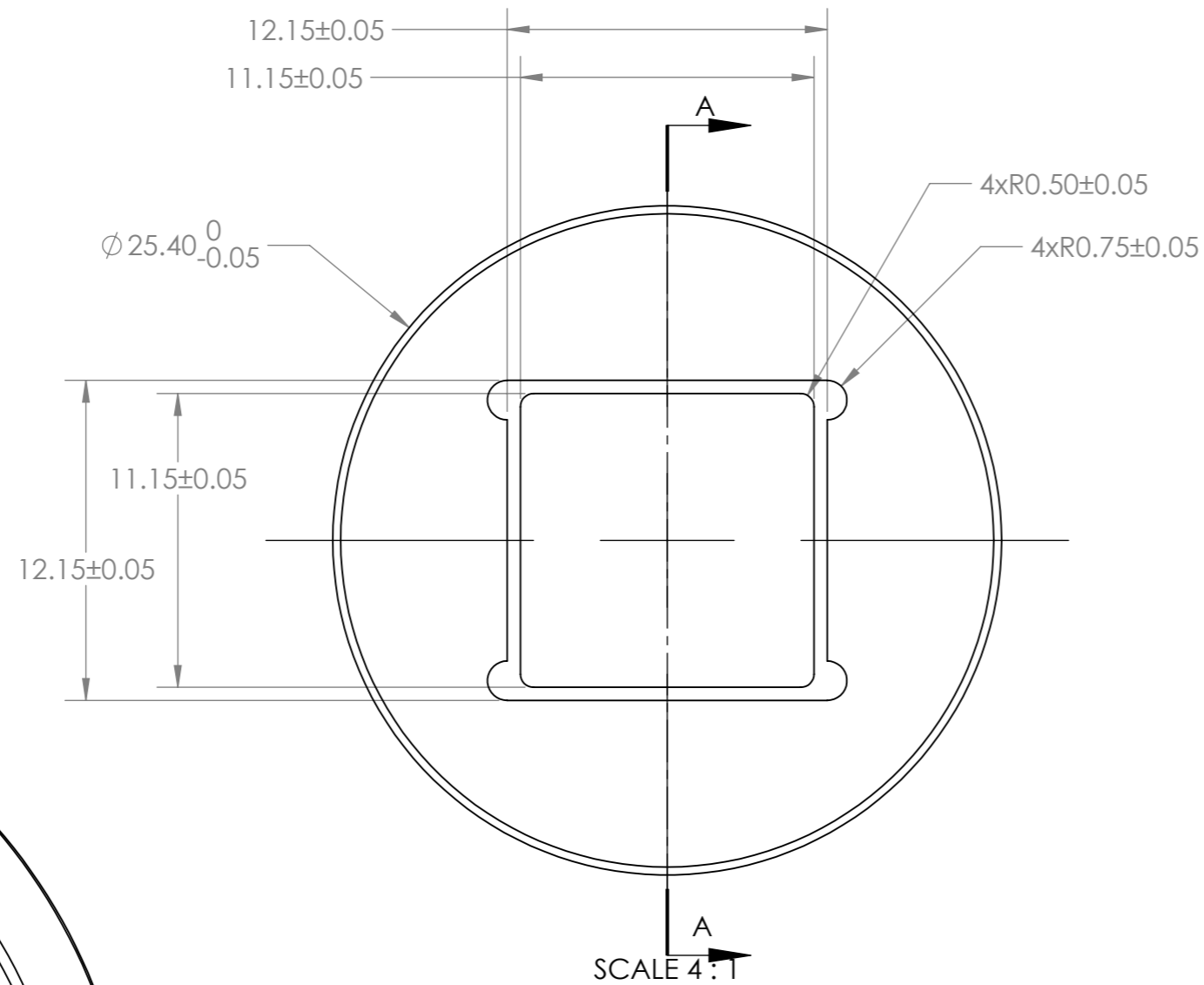



NOTES

1. MATERIAL: AL AL 6061 T6
2. REMOVE BURRS AND SHARP EDGES.
3. FILLET R0.3 MAX UNLESS OTHERWISE SPECIFIED.
4. FINISH: ANODIC COATING DYED BLACK 12 MICRON.

REVISIONS				
ZONE	REV.	DESCRIPTION	DATE	APPROVED
	A		10/25/2015	



UNLESS OTHERWISE SPECIFIED: DIMENSIONS ARE IN MILLIMETERS		FINISH:		DEBUR AND BREAK SHARP EDGES		DO NOT SCALE DRAWING		REVISION A					
SURFACE FINISH:						THIS DRAWING IS THE PROPERTY OF HOLO/OR. DUPLICATION OR SUBMISSION TO THIRD PARTIES REQUIRES HOLO/OR'S WRITTEN CONSENT.							
TOLERANCES:						TITLE: Adapter for square 12x12mm to 1" dia							
LINEAR: $\pm 0.1$													
ANGULAR: $\pm 0.5^\circ$													
DRAWN G.S.		SIGNATURE		DATE 6/12/15						DWG/PART NO. AD SQ04 T01		A3	
CHK'D L.S.				DATE 6/12/15									
APPV'D													
MFG						MATERIAL:							
Q.A						WEIGHT:		SCALE:10:1					
								SHEET 1 OF 1					