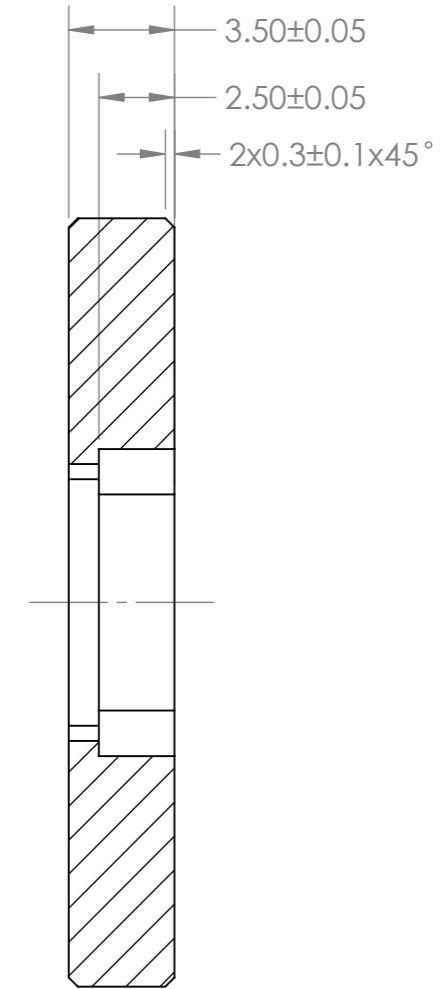
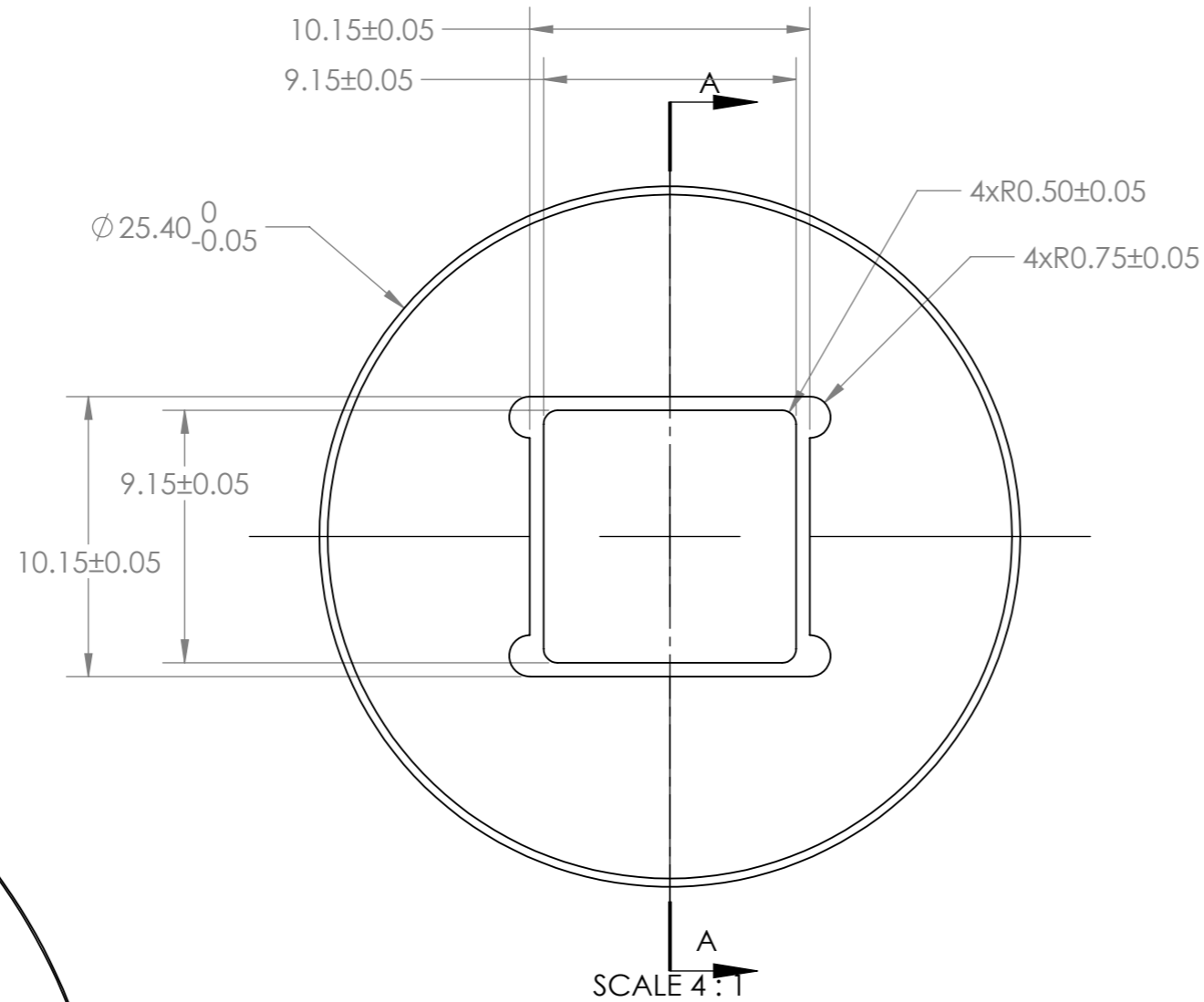


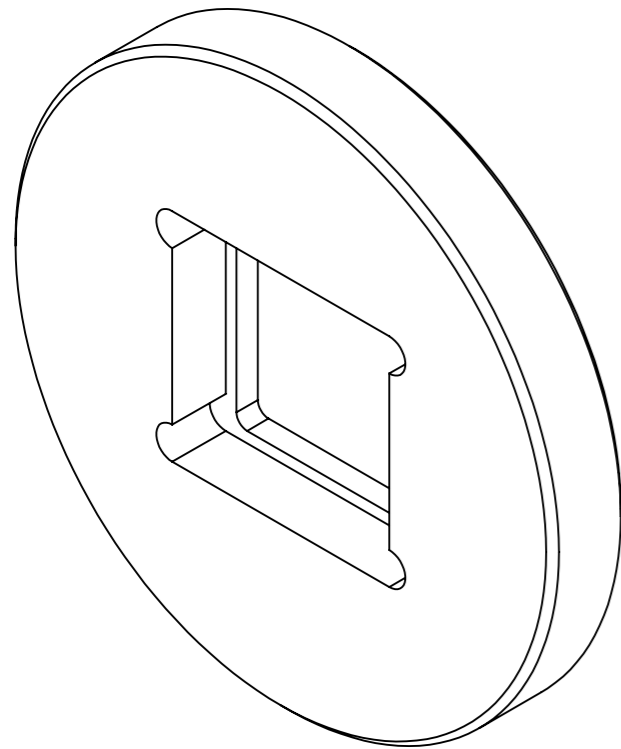
NOTES

1. MATERIAL: AL AL 6061 T6
2. REMOVE BURRS AND SHARP EDGES.
3. FILLET R0.3 MAX UNLESS OTHERWISE SPECIFIED.
4. FINISH: ANODIC COATING DYED BLACK 12 MICRON.

REVISIONS				
ZONE	REV.	DESCRIPTION	DATE	APPROVED
	A		10/25/2015	



SECTION A-A
SCALE 4 : 1



SCALE 4 : 1

UNLESS OTHERWISE SPECIFIED: DIMENSIONS ARE IN MILLIMETERS SURFACE FINISH: TOLERANCES: LINEAR: ± 0.1 ANGULAR: $\pm 0.5^\circ$		FINISH:	DEBUR AND BREAK SHARP EDGES	DO NOT SCALE DRAWING	REVISION A
DRAWN G.S.		SIGNATURE	DATE 6/12/15	THIS DRAWING IS THE PROPERTY OF HOLO/OR. DUPLICATION OR SUBMISSION TO THIRD PARTIES REQUIRES HOLO/OR'S WRITTEN CONSENT.	
CHK'D L.S.			DATE 6/12/15	TITLE: Adapter for square 10x10mm to 1" dia	
APPV'D				DWG/PART NO. AD SQ03 T01	
MFG				SCALE:10:1	
Q.A				SHEET 1 OF 1	
				A3	
				WEIGHT:	



TITLE:
**Adapter for square
10x10mm to 1" dia**

DWG/PART NO.
AD SQ03 T01

A3

WEIGHT:

SCALE:10:1

SHEET 1 OF 1