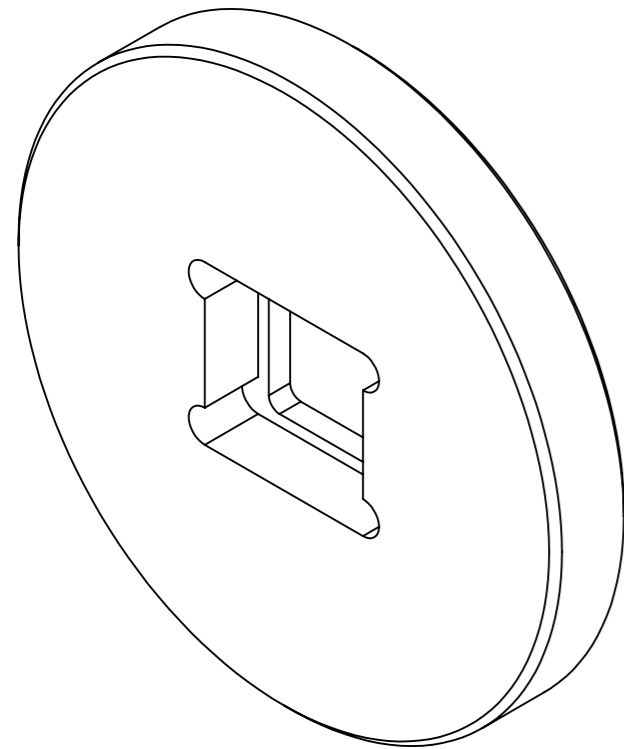
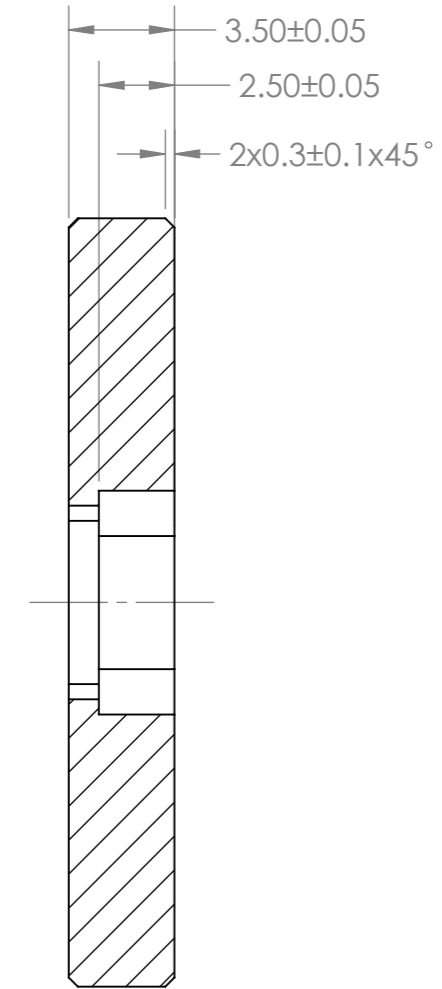
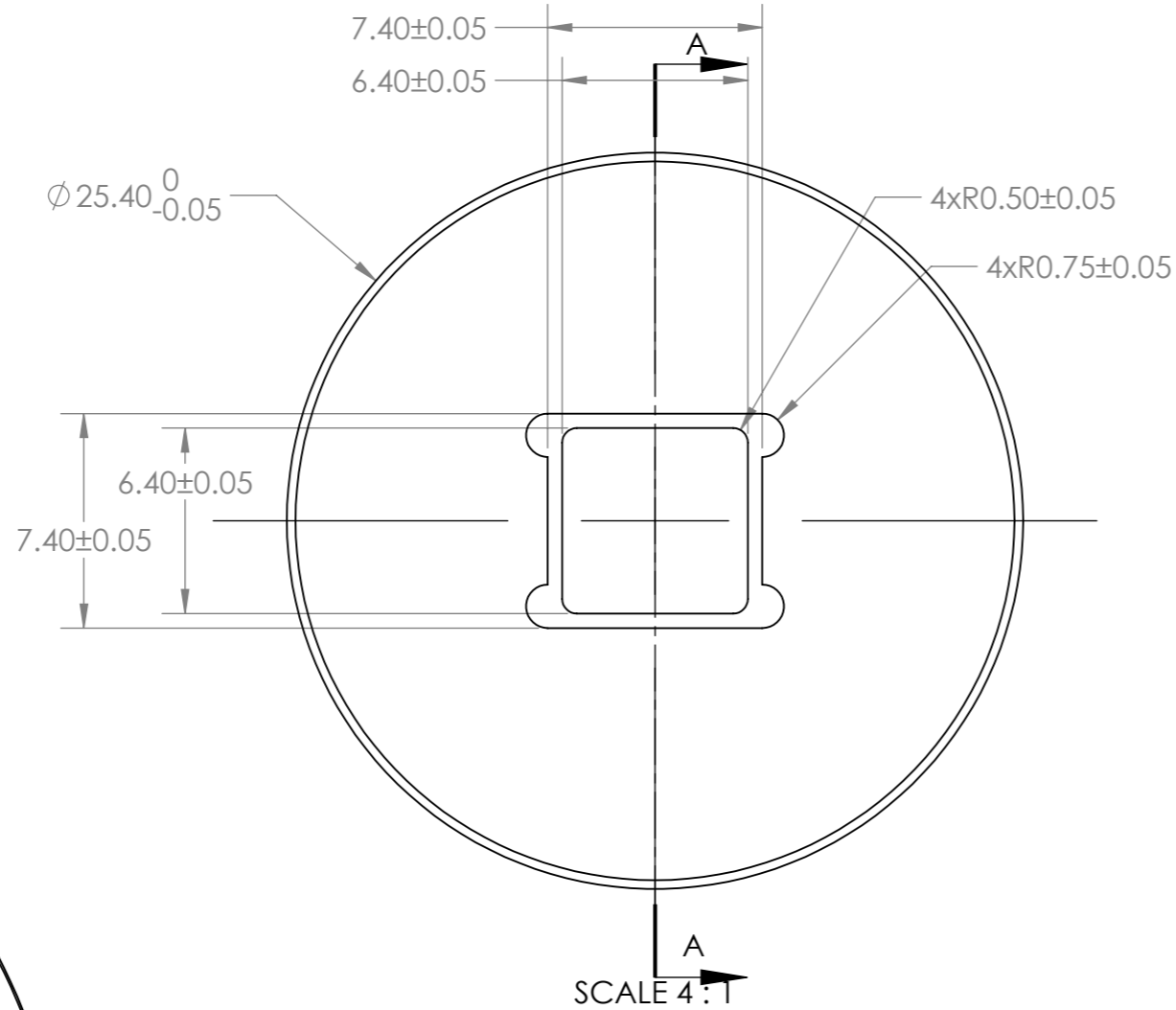


NOTES

1. MATERIAL: AL AL 6061 T6
2. REMOVE BURRS AND SHARP EDGES.
3. FILLET R0.3 MAX UNLESS OTHERWISE SPECIFIED.
4. FINISH: ANODIC COATING DYED BLACK 12 MICRON.

| REVISIONS |      |             |            |          |
|-----------|------|-------------|------------|----------|
| ZONE      | REV. | DESCRIPTION | DATE       | APPROVED |
|           | A    |             | 10/25/2015 |          |



SCALE 4 : 1

SECTION A-A  
SCALE 4 : 1

SCALE 4 : 1

|  |  |           |                                   |   |            |
|--|--|-----------|-----------------------------------|---|------------|
| UNLESS OTHERWISE SPECIFIED:<br>DIMENSIONS ARE IN MILLIMETERS<br>SURFACE FINISH:<br>TOLERANCES:<br>LINEAR: ±0.1<br>ANGULAR: ±0.5° |  | FINISH:   | DEBUR AND<br>BREAK SHARP<br>EDGES | DO NOT SCALE DRAWING  | REVISION A |
| DRAWN G.S.   |  | SIGNATURE | DATE 6/12/15                      | THIS DRAWING IS THE PROPERTY OF HOLO/OR.<br>DUPLICATION OR SUBMISSION TO THIRD PARTIES<br>REQUIRES HOLO/OR'S WRITTEN CONSENT. |            |
| CHK'D L.S.   |  |           | DATE 6/12/15                      | TITLE: Adapter for square<br>7.25x7.25mm to 1" dia  |            |
| APPV'D   |  |           |                                   | DWG/PART NO. AD SQ02 T01  |            |
| MFG  |  |           |                                   | SCALE:10:1  |            |
| Q.A  |  |           |                                   | SHEET 1 OF 1  |            |
|  |  |           |                                   | A3  |            |
|  |  |           |                                   | WEIGHT:   |            |



Adapter for square  
7.25x7.25mm to 1" dia

AD SQ02 T01

A3

SCALE:10:1

SHEET 1 OF 1